

FIG. 1



FIG.3

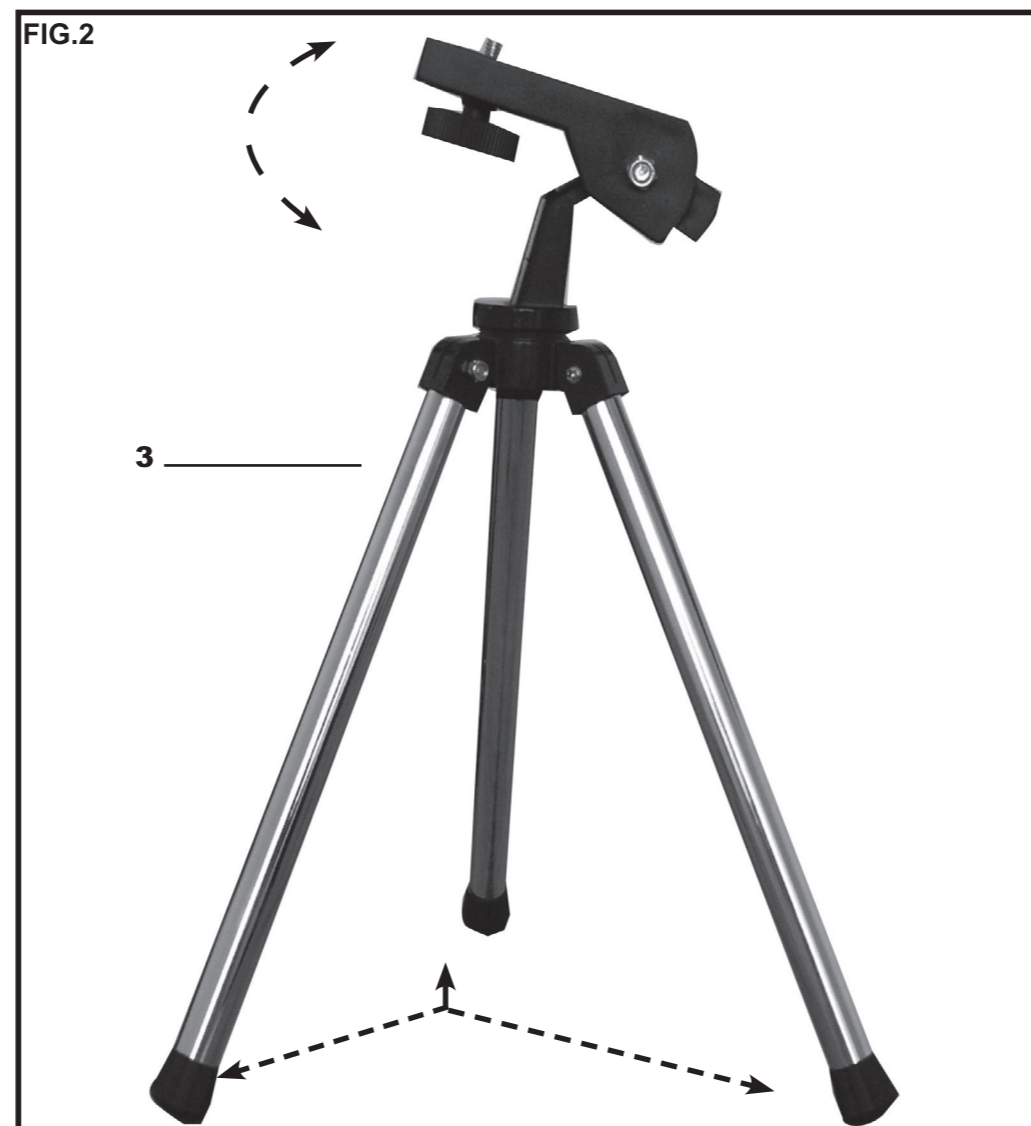


FIG.2

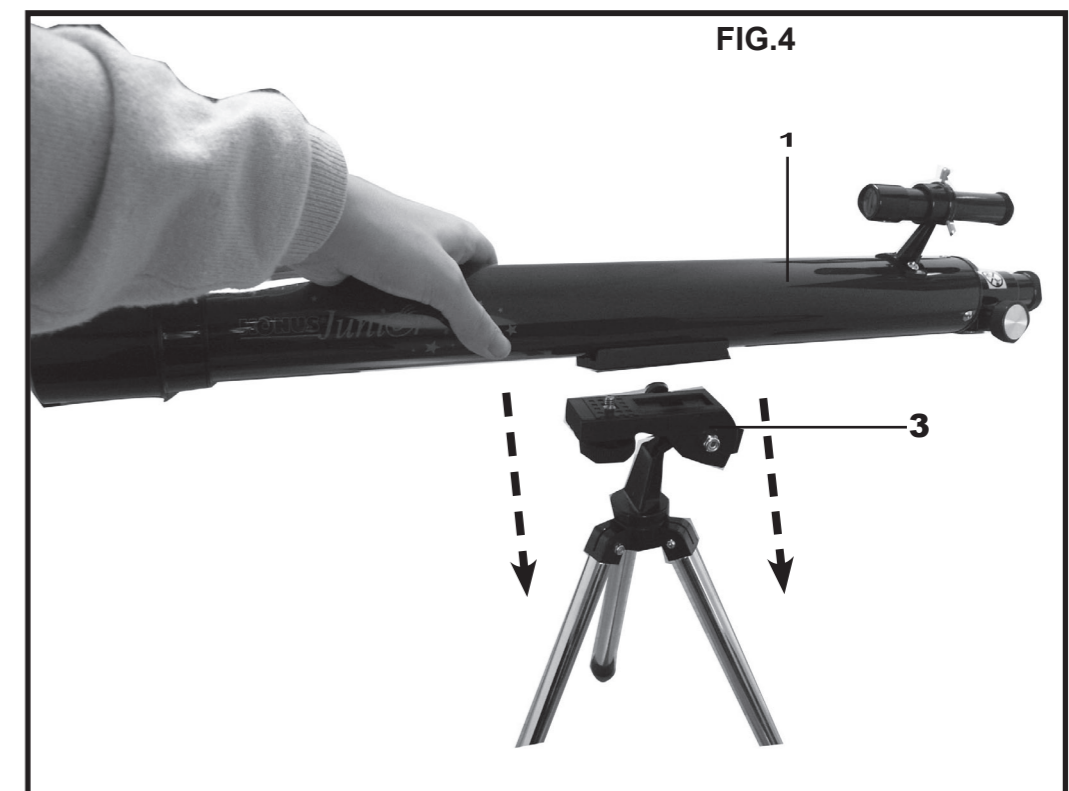


FIG.4

TELESCOPE
KONUSPACE-4

Ø50mm (1.9") F.600 f/12-ALTAZIMUTHAL REFRACTOR

www.konus.com
www.konususa.com

· Produced by KONUS · KONUS is a trade mark registered in Europe, U.S.A., Latin America, and selected countries.

· Printed in P.R.C.

© KONUS 2006 - All rights reserved.

Every reproduction even partial of all images and text, of this publication is forbidden.

TELESCOPE

KONUSPACE-4

Ø50mm (1.9") F.600 f/12- ALTAZIMUTHAL REFRACTOR

· INSTRUCTIONS DE MONTAGE · ASSEMBLY INSTRUCTIONS · INSTRUCCIONES DE MONTAJE · ISTRUZIONI DI MONTAGGIO · MONTAGEANLEITUNG · MONTERINGSINSTRUCTIES · INSTRUÇÕES DE MONTAGEM · ΟΔΗΓΙΕΣ ΣΥΝΑΡΜΟΛΟΓΗΣΗΣ · ИНСТРУКЦИИ ПО УСТАНОВКЕ · INSTRUKCJE DOTYCZĄCE MONTAŻU.



FIG. 5

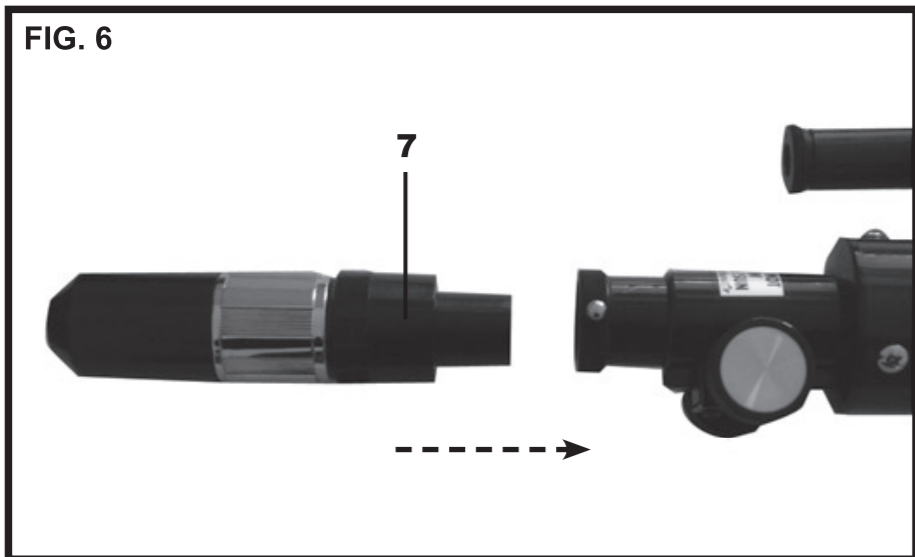


FIG. 6

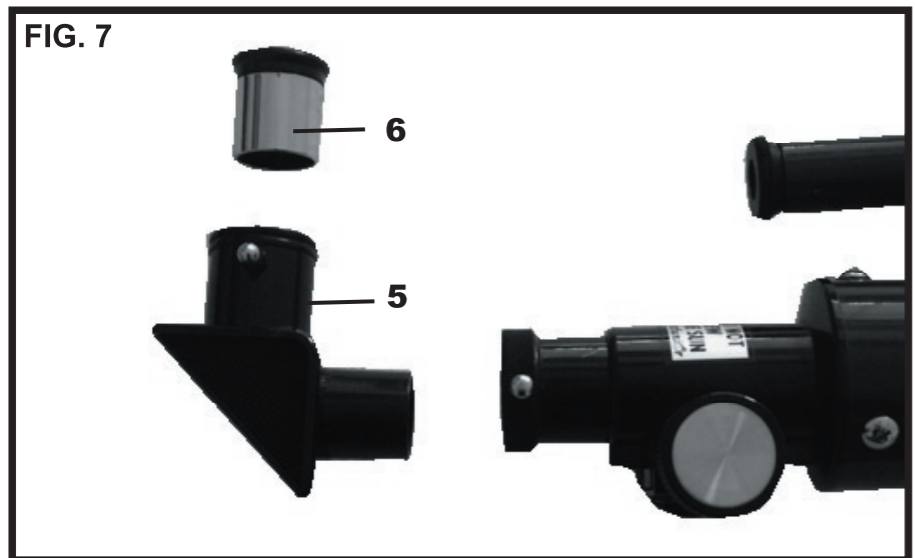


FIG. 7

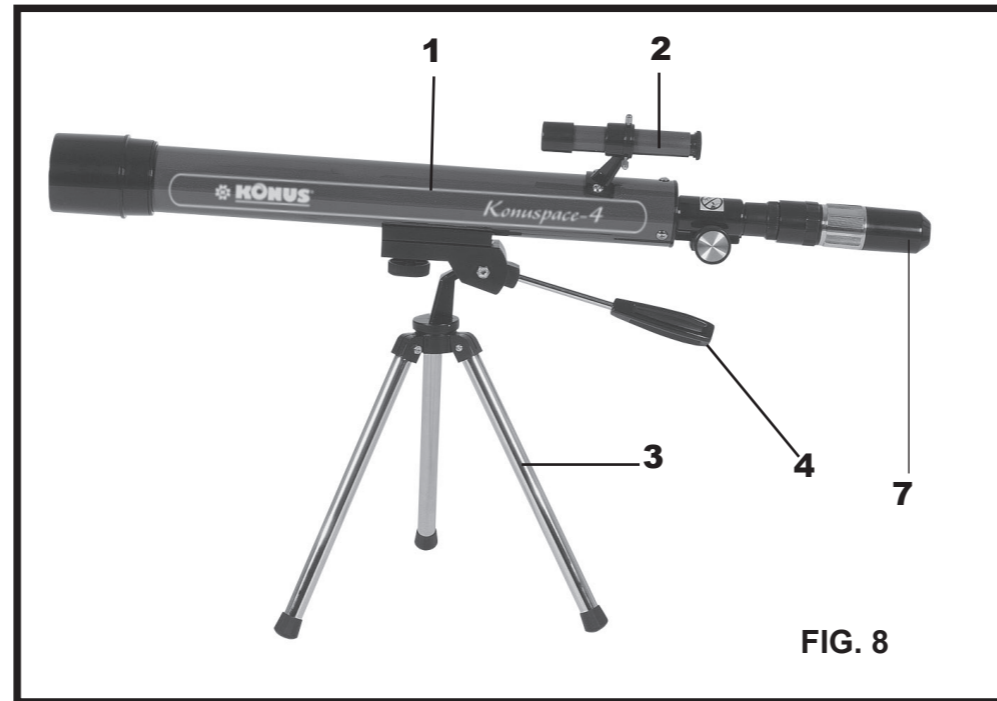


FIG. 8

· **ATTENTION:** NE DIRIGEZ-PAS L'INSTRUMENT VERS LE SOLEIL SOUS PEINE D'ENDOMMAGER IRRÉVERSIBLEMENT VOTRE VUE.

· **ACHTUNG:** RICHTEN SIE DAS INSTRUMENT NIE AUF DIE SONNE, SIE KÖNNTEN SCHWERE UND DAUERHAFT AUGENSCHADEN DAVONTRAGEN.

· **ATTENTION:** NEVER POINT THE INSTRUMENT AT THE SUN AS THIS WILL CAUSE SERIOUS AND PERMANENT DAMAGE TO YOUR EYE SIGHT.

· **WAARSCHUWING:** HET INSTRUMENT NOOIT OP DE ZON RICHTEN OMDAT DIT ERNSTING EN PERMANENT DE OGEN KAN BESHADIGEN.

· **ATENCIÓN:** NO DIRIJA EL INSTRUMENTO HACIA EL SOL, PORQUE PODRIA SUFRIR DAÑOS GRAVES Y PERMANENTES A LA VISTA.

· **ATENÇÃO:** NUNCA ASSESTAR O INSTRUMENTO EM DIRRECÇÃO AO SOL PORQUE CAUSARIA DANOS GRAVES É PERMANENTES A VISTA.

· **ATTENZIONE:** NON PUNTARE MAI LO STRUMENTO VERSO IL SOLE PERCHÉ SUBIRESTE DANNI GRAVI E PERMANENTI ALLA VISTA.

· **ΠΡΟΕΙΔΟΠΟΙΗΣΗ:** ΠΟΤΕ ΜΗ ΚΟΙΤΑΤΕ ΤΟΝ ΗΛΙΟ ΜΕ ΤΟ ΤΗΛΕΣΚΟΠΙΟ ΚΑΘΩΣ ΘΑ ΠΡΟΚΑΛΕΣΕΤΕ ΣΟΒΑΡΗ ΚΑΙ ΜΟΝΙΜΗ ΒΛΑΒΗ ΤΩΝ ΜΑΤΙΩΝ.

· **UWAGA:** USTAWIANIE PRZYRZĄDU BEZPOŚREDNIO NA SŁOŃCE GROZI POWAŻNYM I TRWAŁYM USZKODZENIEM WZROKU.

· **ВНИМАНИЕ:** ВО ИЗБЕЖАНИЕ СЕРЬЁЗНЫХ ПОВРЕЖДЕНИЙ ЗРЕНИЯ НИКОГДА НЕ НАПРАВЛЯТЬ ПРИБОР НА СОЛНЦЕ.

· **FIGYELEM:** SOHA NE NÉZZEN AZ ESZKÖZZEL A NAPBA, MERT SÚLYOS ÉS MARADANDÓ SZEMSÉRÜLÉST OKOZHAT!



TELESCOPE

KONUSPACE-4

Ø50mm (1.9") F.600 f/12- ALTAZIMUTHAL REFRACTOR

www.konus.com

www.konususa.com

· Produced by KONUS · KONUS is a trade mark registered in Europe, U.S.A., Latin America, and selected countries.

· Printed in P.R.C.

© KONUS 2006 - All rights reserved.

Every reproduction even partial of all images and text, of this publication is forbidden.